



# VERTICAL AUGER MONSTER®

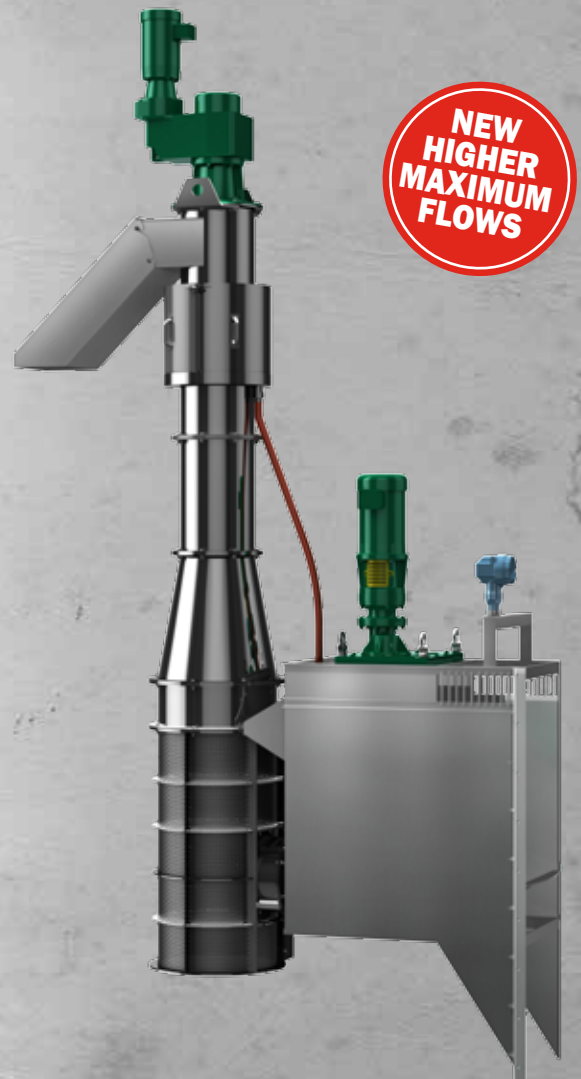


All-in-one solution to remove trash and unwanted solids from your Pump Station.

## Overview

The Vertical Auger Monster is a fine screening device that captures debris, conveys it vertically out of the pump station, launders the screenings to remove fecal matter and finally dewater the debris before depositing the clean and dry material into a bin. When paired with a dual-shafted JWC Monster Grinder the cleanliness of the screenings is maximized. The grinder breaks up rags and tough solids allowing for a higher level of separation of the organics from the solids.

JWC Environmental offers a selection of Vertical Auger Monster Products to serve a wide range of applications. The **ACV** and **AGV Vertical Auger Monsters** incorporate Muffin Monster® grinding technology and have peak flows up to 792 m<sup>3</sup>/hr. The **ALV Vertical Auger Monster** is a cost effective solution with the capability of flows as high as 1754 m<sup>3</sup>/hr.



# Vertical Auger Monster®

## Pre-Condition Solids

- Proven Muffin Monster® grinding technology.
- Breaks-up clumps to separate out organics.
- Shreds wipes, stringy material to prevent wrapping.

## Cleaner Screenings Discharge

- Integrated spray wash launders screenings.
- Solids are removed while soft organics are washed back into the waste stream.
- Lower fecal material in discharge reduces odors.

## Dry and Compact Screenings

- Rugged dual helix auger compacts and squeezes water from solids.
- Less volume lowers waste disposal cost.

## High Capture Efficiency

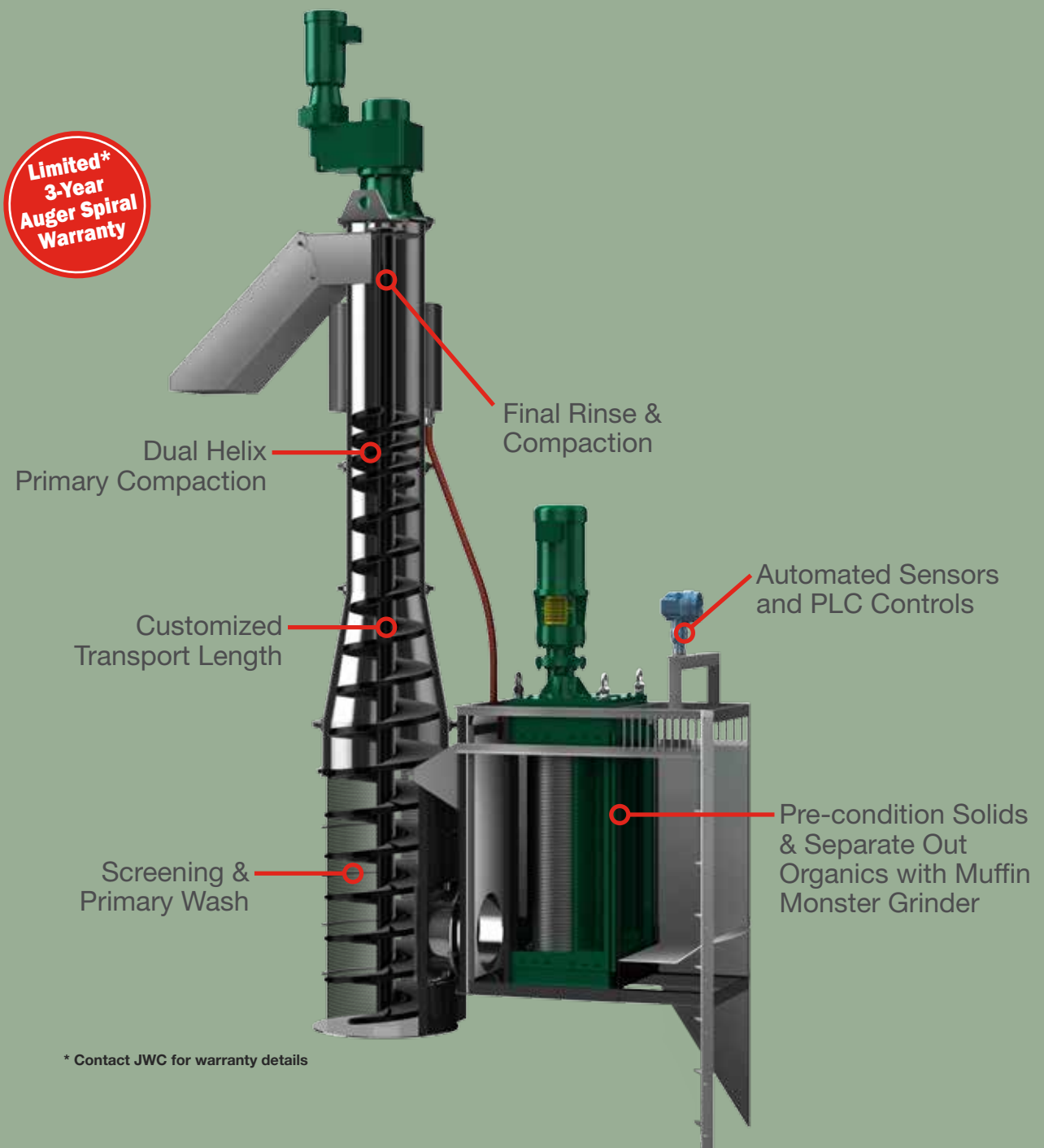
- Fine screening with perf sizes from 2-6mm.
- Unique brush attachment on auger keeps screen clean.

## Modular Screening System

- Placement in existing pump station with little or no civil work.
- Easy installation in outdoor locations.

## Automated PLC Controls

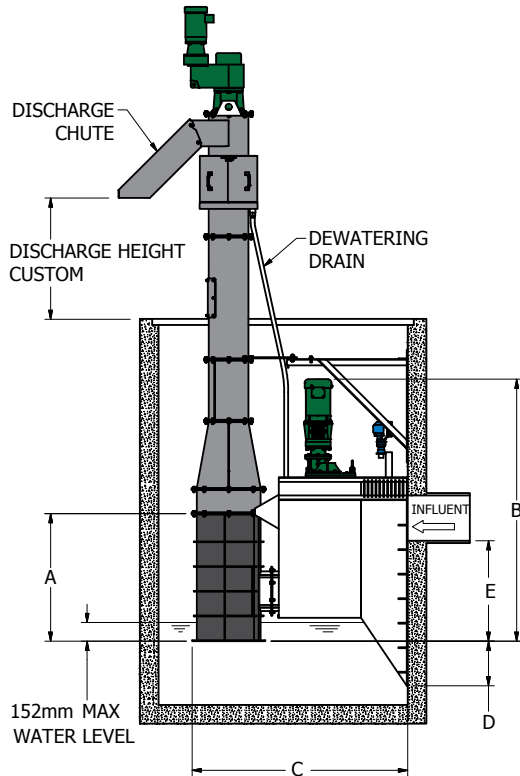
- Auto load sensing and reversing protects the system.
- Adjustable, differential run times for optimal solids removal.
- Auger "fail-safe" mode ensures system continues running even if electronics are disabled.



# Vertical Auger Monster®

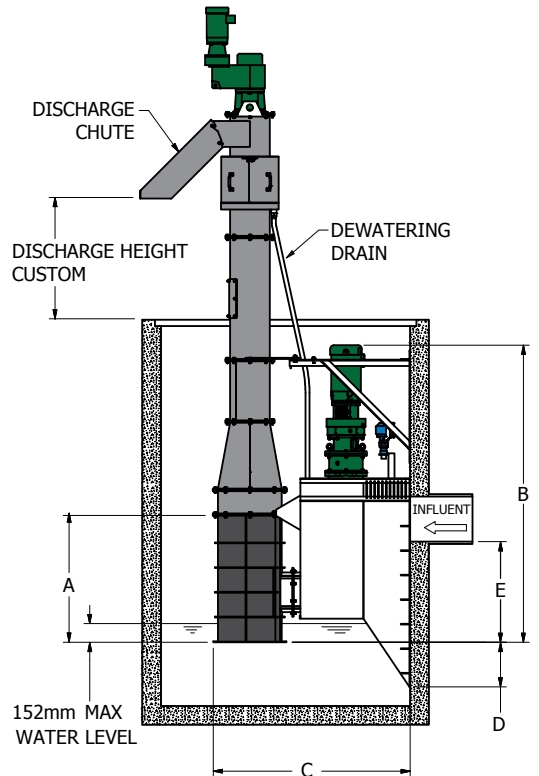
## ACV Vertical Auger Monster®

The top of the line ACV Vertical Auger Monster is designed to handle a high flows with high solids loading. It utilizes a JWC Channel Monster® grinder to precondition the solids and separate the organics from the other trash and debris. The ACV has peak flow capabilities of 5.0 MGD



## AGV Vertical Auger Monster®

The AGV Vertical Auger Monster incorporates in either a 30K or 40K Muffin Monster® grinders to precondition the solids before conveying them out of the pump station. It is capable flows up to 3.5 MGD.



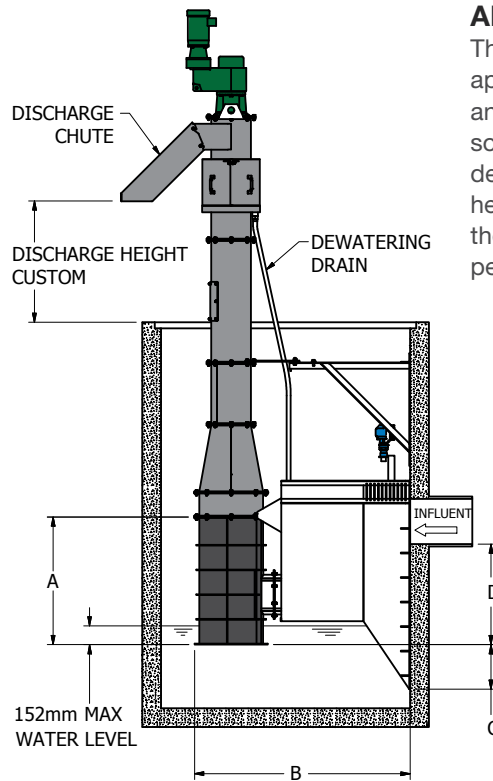
ACV Model	Max Pipe Size - mm	Standard Dimensions - mm					Max Flow* - m <sup>3</sup> /hr		
		A	B	C	D	E	0% Blind	30% Blind	55% Blind
ACV1800-480	500	699	1803	1759	364	1221	409	352	275
ACV2400-480	500	826	1949	1759	364	1375	587	523	412
ACV3200-480	500	1041	2146	1759	364	1565	792	712	568

Note: Please consult factory for final applications assistance. \* Max Flow based on 6mm screening section.

AGV Model	Max Pipe Size - mm	Standard Dimensions - mm					Max Flow* - m <sup>3</sup> /hr		
		A	B	C	D	E	0% Blind	30% Blind	55% Blind
AGV1800-285	300	699	1868	1302	89	965	206	193	135
AGV2400-285	300	826	2015	1302	89	1111	290	274	177
AGV3200-285	300	1041	2211	1302	89	1308	424	407	233
AGV4000-285	300	1245	2415	1302	89	1511	542	542	286
AGV1800-480	500	699	2138	1759	364	1211	221	195	192
AGV2400-480	500	826	2286	1759	364	1365	323	293	291
AGV3200-480	500	1041	2481	1759	364	1556	481	442	441

Note: Please consult factory for final applications assistance. \* Max Flow based on 6mm screening section.

# Vertical Auger Monster®



## ALV Vertical Auger Monster®

The ALV Vertical Auger Monster is for applications with lower solids loading and high flows. This cost effective solution will capture, convey and dewater debris utilizing a rugged dual helix auger to compact and dewater the solids. This version can hand peak flows up to 11.1 MGD.

ALV Model	Max Pipe Size - mm	Standard Dimensions - mm				Max Flow* - m³/hr		
		A	B	C	D	0% Blind	30% Blind	55% Blind
ALV1800-285	300	699	1302	89	965	385	270	173
ALV2400-285	300	826	1302	89	1111	470	329	211
ALV3200-285	300	1041	1302	89	1308	583	405	262
ALV4000-285	300	1245	1302	89	1511	462	484	311
ALV1800-480	500	699	1759	364	1211	843	604	388
ALV2400-480	500	826	1759	364	1365	1215	850	547
ALV3200-480	500	1041	1759	364	1556	1754	1128	790

Note: Please consult factory for final applications assistance. \* Max Flow based on 6mm screening section.

Since its founding in 1973, JWC Environmental has become a world leader in solids reduction and removal for the wastewater industry with its Muffin Monster grinders and Monster Separation Systems. JWC also solves challenging size reduction and processing problems in commercial and industrial applications through its Monster Industrial division. JWC Environmental is headquartered in Santa Ana, California, and has a global network of representatives, distributors and regional service centers to provide customer support.

For more information, visit JWC Environmental at [www.jwce.com](http://www.jwce.com).



Headquarters  
2850 S. Red Hill Ave., Suite 125  
Santa Ana, CA 92705 USA  
toll free: 800.331.2277  
phone: 949.833.3888  
fax: 949.833.8858  
email: [jwce@jwce.com](mailto:jwce@jwce.com)

[www.jwce.com](http://www.jwce.com)