

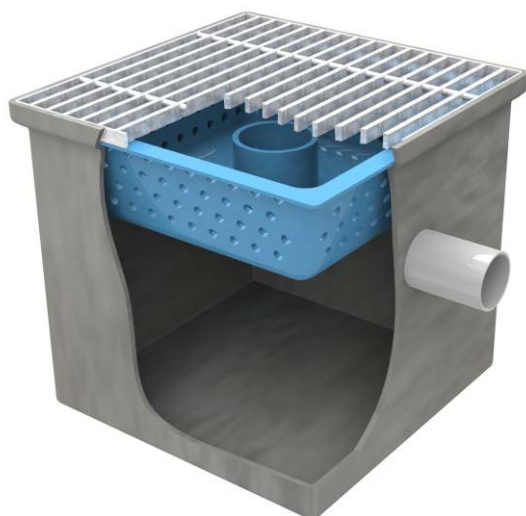
The Global Water Gross Pollutant / Silt Traps are the most economical solution for the removal of floating debris and silt from stormwater run-off or washdown water.

The Global Water GPT pits, which replace conventional stormwater catchment pits, protect the environment from gross pollutants such as plastic bags, cans and other trash plus bark chips, sand and fine silt, by at-source treatment of run-off. They can also be used to protect pumping chambers and down-stream stormwater detention tanks or treatment devices. Multiple units can be installed to ensure effective site coverage and maximise first flush catchment.

Based on the Global Water proven glass reinforced cement (GRC) 600mm x 600mm sumps, the GPT's offer optimum versatility, with the outlet able to be installed on-site at any invert to suit site requirements.

Units are available in two configurations, with a bypass unit available for those situations where a clogged silt trap could result in flooding of buildings or adjoining properties.

The Gross Pollutant / Silt Traps are fitted with a non-corrosive impact resistant polyethylene basket with significant silt handling capacity, yet light weight enough to enable emptying by hand. Lifting handles are stainless steel.



A galvanized grate suitable for pedestrian or light vehicle traffic is supplied as standard. A heavy duty grate is available as an option.

To specify or order, simply quote Global Water Gross Pollutant / Silt Trap model GPT for the standard unit, or model GPT-B for the model fitted with a bypass overflow, followed by 66 for 600mm deep, or 69 for 900mm deep. Example: GPT-B66.

If the intensity of rainfall exceeds the flow capacity of the silt basket, or if bad housekeeping has allowed the basket to become full or blocked, water will backup onto catchment area. For applications where this is not acceptable, the model GPT-B with a bypass overflow should be used.

Applications

- carparks and driveways
- loading docks
- industrial rubbish bin bays
- commercial developments
- washdown bays
- pump pit inlet sumps
- outdoor eating areas.

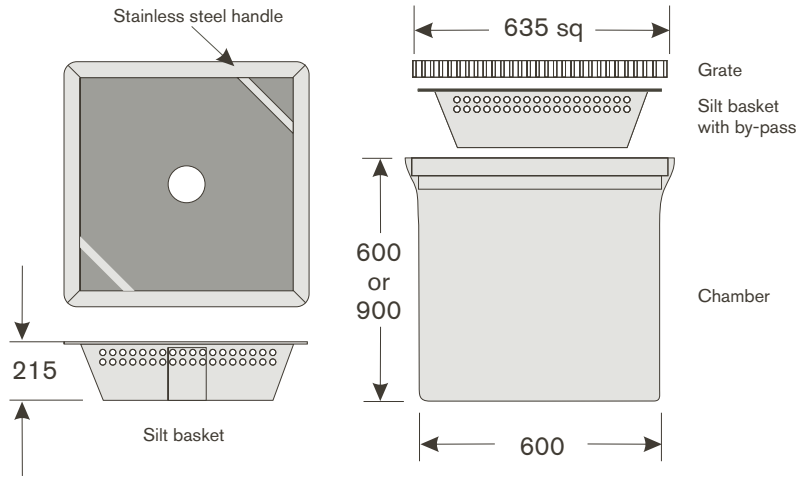
Specifications

Chamber construction	6mm GRC
Pit size	
Standard unit	
- model 66	600 x 600mm deep
- model 69	600 x 900mm deep
Bypass unit	
- model 66	600 x 600mm deep
- model 69	600 x 900mm deep
Recommended outlet size	80 - 150mm
Treatment flow rate	10 l/s
Bypass flow rate	20 l/s
Galvanised grate	635 x 635mm
Silt capacity	
- basket	30 L
- main chamber	70 L

Standard unit

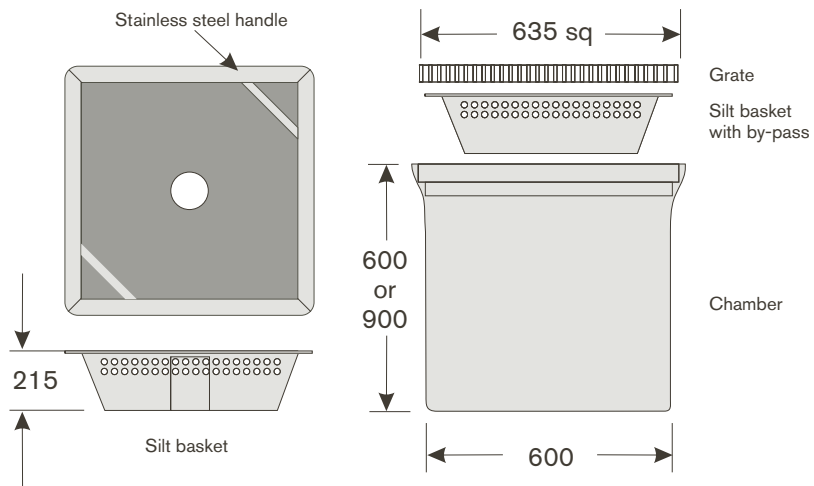
Model GPT66 or 69

All measurements in mm.



Bypass unit

Model GPT-B66 or 69



Bypass unit

Model GPT-B66 or 69

