

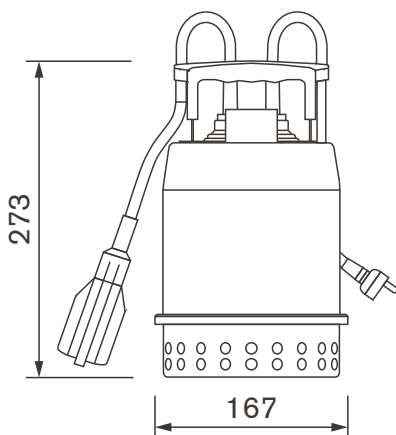
Suitable for small stormwater discharge and emptying small flooded areas (rooms, cellars, garages), for the disposal of domestic wastewater (i.e. dishwashers, washing machines) and emptying sludge chambers, sub-soil drainage pits and septic tanks.

Features

- Constructed from corrosion resistant 304 stainless steel.
- Oil lubricated double mechanical shaft seal.
- Air-filled, continuous duty motors rated for up to 20 starts per hour.
- Built-in thermal protection with automatic reset.



Dimensions (all measurements mm)



Technical data

Outlet (mm)	32 BSP
Max flow rate (L/s)	2.5
Max head (m)	7.0
Max liquid temp (°C)	50
Ø Solids (mm)	10
Power (kW)	0.25
Current (A)	1.9
Voltage (V)	240
Speed (RPM)	2900
Casing	Stainless steel
Impeller	PPE
Motor housing	Stainless steel
Protection	IP68
Cable details	5 m length, H05RN-F
Mounting	Free-standing only
Weight (kg)	4.4

Performance curve

